



STARK

STRONGLY CHOSEN

SINCE 1980

STARK ICE BLADE



SNOW PLOWING

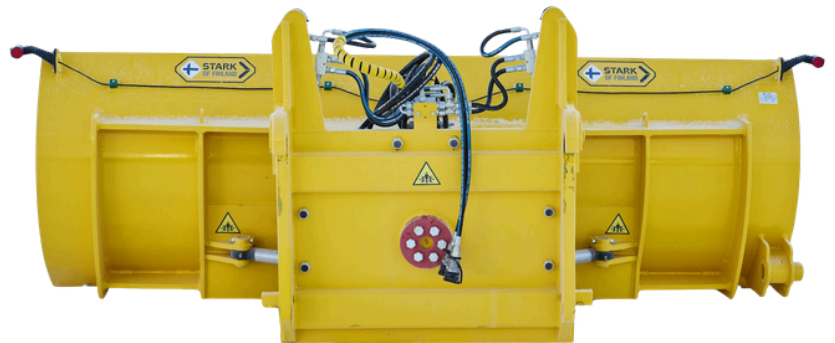
- A strong tool for wheel loader professionals
- Available with snow stopper

- Heavy duty structure for efficient removal of packed snow.
- Main plate 25mm S355J2G3 is sturdy and long-lasting.
- With turning/pressing frame weight of base machine can be moved against the blade.
- Tilt angle of $\pm 7^\circ$ allows the blade to following the ground closely.
- 2 x 100mm double acting cylinders.
- Flat of perforated 16 x 200 P300 DUO wear blades.



STANDARD EQUIPMENT

- ▶ LED-valot
- ▶ Paineenrajoitus venttiili



OPTIONAL EQUIPMENT

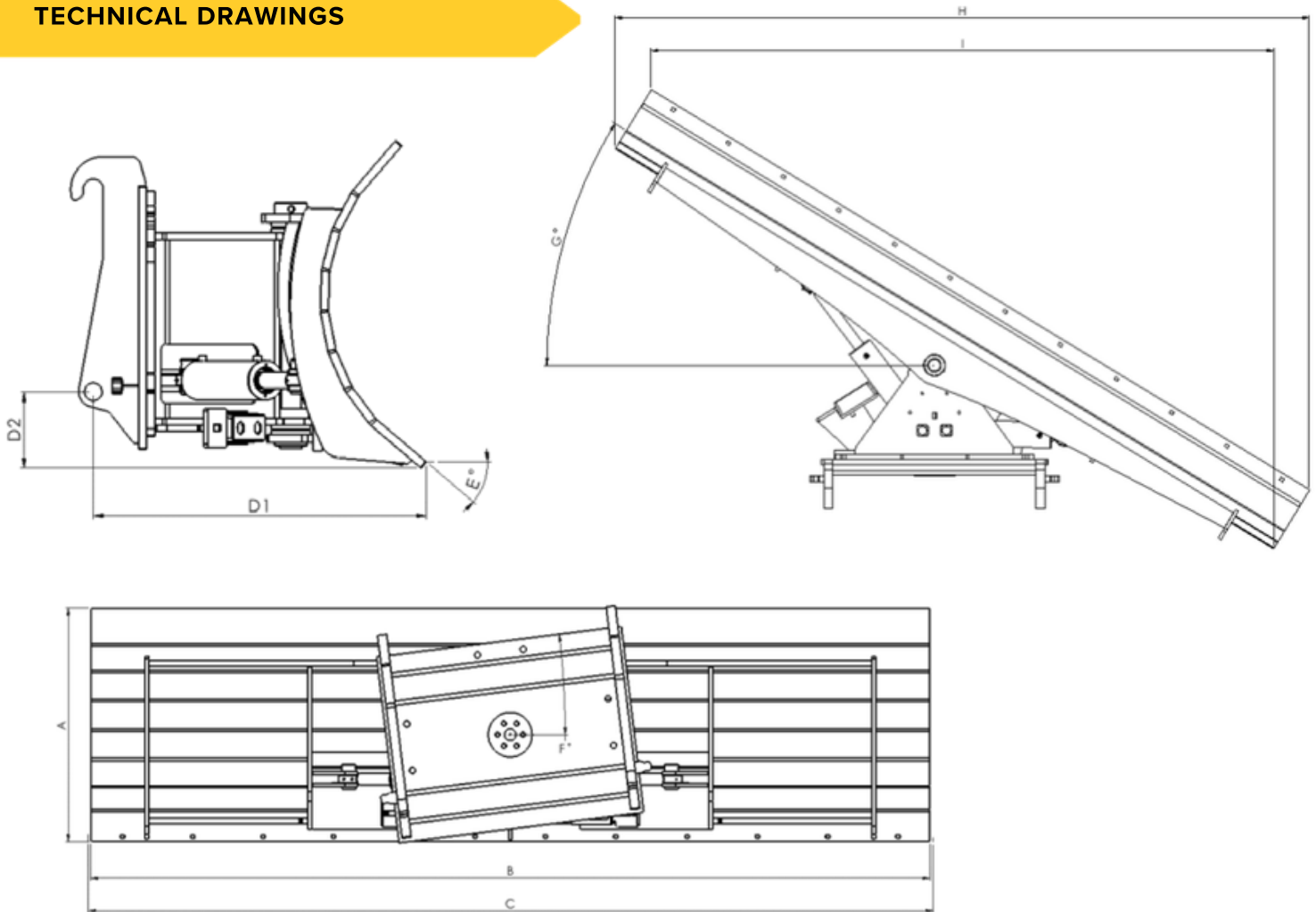
- ▶ Terävaihtoehdot
- ▶ Hitsattavat sovitteet



STARK

www.stark.fi
STARK / Lametal Oy

TECHNICAL DRAWINGS



TECHNICAL DIMENSIONS

Product	Max. wing height (mm)	Wing width (mm)	Blade width	Distance from the fitting (mm)	Height from the fitting (mm)	Blade angle (mm)	Tipping angle (°)	Rotating angle (°)	Max. width with rotation (mm)	Min. width with rotation (mm)	Weight (kg) *
	A	B	C	D1	D2	E	F	G	H	I	
IBL 3050	1000	3030	3050	1040	230	40	7	32	2770	2423	1750
IBL 3355	1000	3345	3355	1040	230	40	7	32	3040	2709	1900
IBL 3660	1000	3640	3660	1040	230	40	7	32	3276	2940	2050

* Weights incl. road blades and fittings. The weight varies depending on the fitting / equipment of the plow.